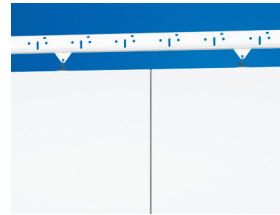


ECOPHON HYGIENE ADVANCE™ Baffle C3

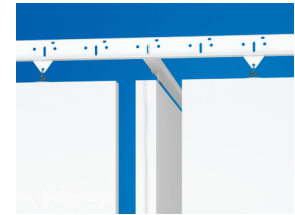


Ecophon Hygiene Advance Baffle C3 is an open system with vertical baffles intended for use in environment where there is a high level of contamination, and where frequent cleaning is required. This system is used mainly in premises where it is not possible to install a wall to wall ceiling because of sprinkler systems, installations or skylights, etc. Examples of applications: areas with high levels of airborne grease, areas exposed to spatter from meat juices, fruit juices or other liquids.

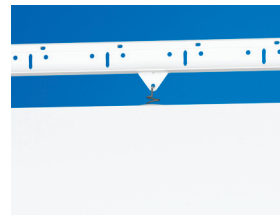
The system consists of Ecophon Hygiene Advance Baffles, which have a core of high density glass wool encapsulated in a smooth high-performance film that is impervious to particles and water. The film is also dirt-repellent and resistant to most chemicals. The supporting structure is a corrosion protected exposed Connect T24 C3 grid of lacquered galvanised steel. The weight of the system is 3-4 kg/m².



Hygiene Advance Baffle C3 in rows



Hygiene Advance Baffle C3 in chequered pattern



Hygiene Advance Baffle C3 with Connect Baffle clip



Hygiene Advance Baffle

SYSTEM RANGE

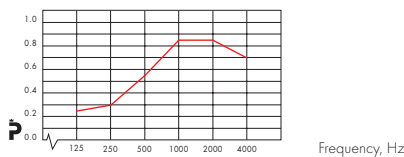
Size, mm	1200 x 600
T24	•
Thickness	40
Inst. Diagr.	M259, M260

TECHNICAL PROPERTIES

ACOUSTIC Sound Absorption Test results according to EN ISO 354:2003

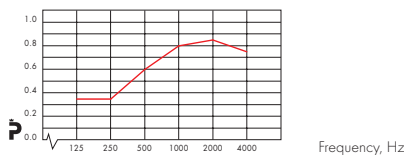
Note: Results shown are not comparable with results according to older versions of this standard due to discrepancies in test method. Classification according to EN ISO 11654, and the single value ratings for NRC and SAA according to ASTM C 423.

α_p Practical sound absorption coefficient



Hygiene Advance Baffle C3 in rows, c 600 mm, with ~1,4 baffles per m² of ceiling area

α_p Practical sound absorption coefficient



Hygiene Advance Baffle C3 in chequered pattern, with ~1,3 baffles per m² of ceiling area

Product

Hygiene Ad-
vance Baffle
C3 in rows,
c 600 mm,
with ~1,4
baffles per
m² of ceiling
area

Hygiene Ad-
vance Baffle
C3 in cheq-
uered pattern,
with ~1,3
baffles per
m² of ceiling
area

o.d.s mm	-	-
absorption class	D	C
NRC	1,0	1,0
SAA	1,0	1,0
α_w		

Sound Insulation Not applicable.

Sound Privacy Not applicable



ACCESSIBILITY The tiles are demountable.



CLEANABILITY Daily dusting, vacuum cleaning, manual wet cleaning, high-pressure washing and steam cleaning. Water temperature max. 70°C. Can withstand the use of common disinfecting chemicals.



VISUAL APPEARANCE White 141, nearest NCS colour sample S 1000-N, 73% light reflectance.



INFLUENCE OF CLIMATE The tiles withstand a permanent ambient RH up to 95% at 30°C without sagging, warping or delaminating (ISO 4611). A higher temperature/moisture is permissible during washing as stated above. The grid and accessories meet the demands of corrosion class C3 according to EN ISO 12944-2. For the microbiological resistance see Functional demands, Influence of climate.

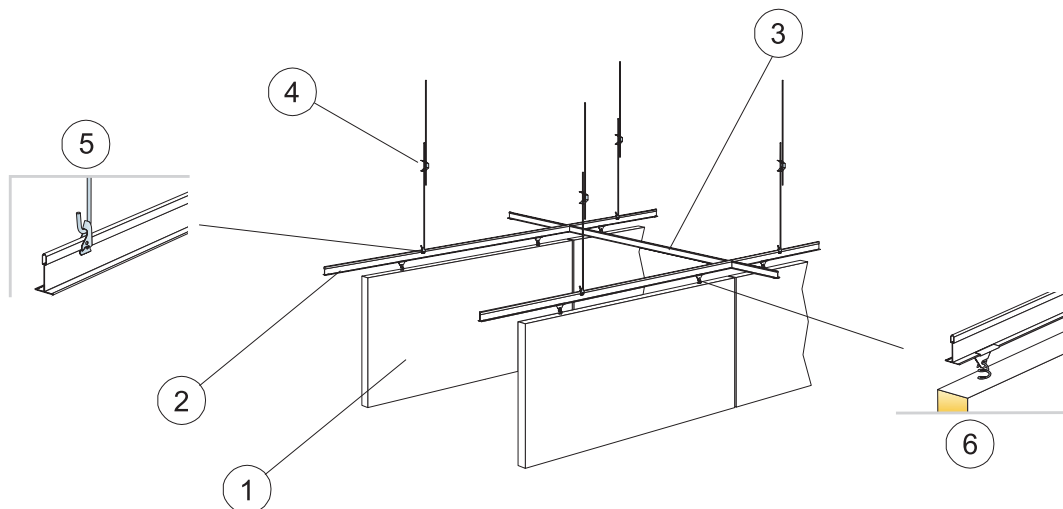


INDOOR CLIMATE Can be used in rooms classified as ISO class 4 according to ISO 14644-1.



ENVIRONMENTAL INFLUENCE Fully recyclable

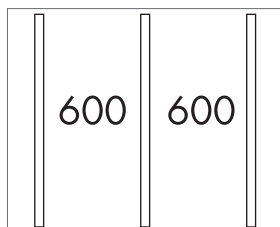
INSTALLATION DIAGRAM (M259) FOR ECOPHON HYGIENE ADVANCE Baffle C3 (IN ROWS)



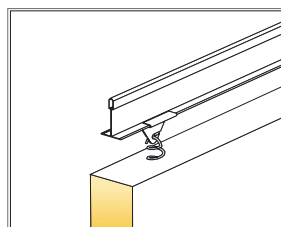
© Ecophon Group

QUANTITY SPECIFICATION (EXCL. WASTAGE)

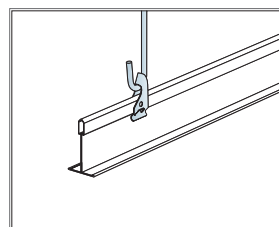
		Size, mm
		1200x600
1	Ecophon Hygiene Advance Baffle	1,4/m ²
2	Connect T24 Main runner C3, installed at 600 mm centres	1,7m/m ²
3	Connect T24 Cross tee C3, L=600 mm, installed at 1800 mm centres	0,6m/m ²
4	Connect Adjustable hanger C3	1,4/m ²
5	Connect Hanger clip	1,4/m ²
6	Connect Baffle clip C3	2,8/m ²



Installation in rows



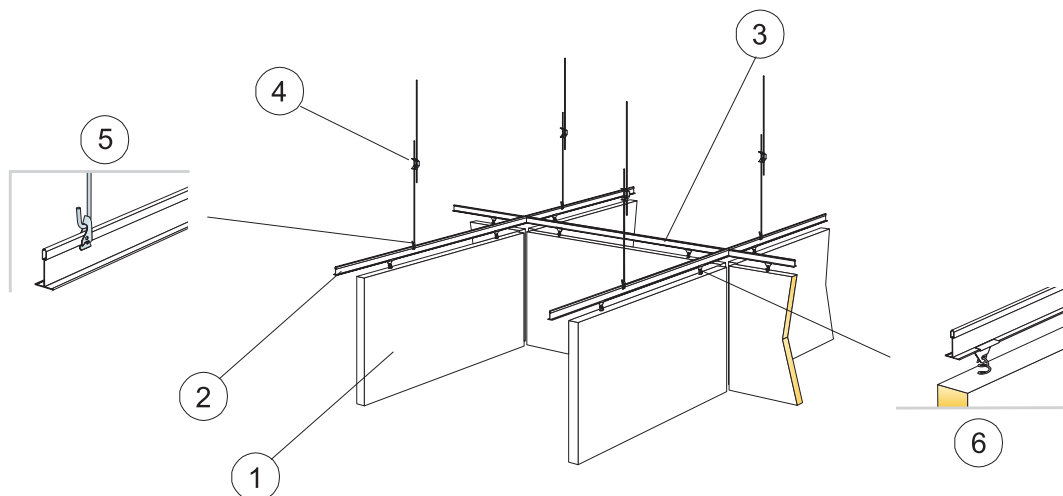
Détail de suspension



Suspension with adjustable hanger and clip

Size, mm	Max live load [N]	Min load bearing capacity [N]
1200x600	0	160

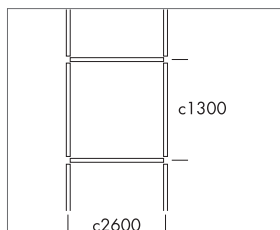
Live load/load bearing capacity



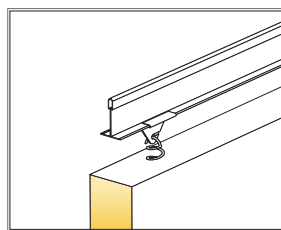
© Ecophon Group

QUANTITY SPECIFICATION (EXCL. WASTAGE)

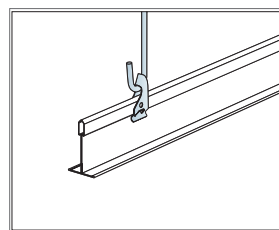
		Size, mm
		1200x600
1	Ecophon Hygiene Advance Baffle	1,3/m ²
2	Connect T24 Main runner C3, installed at 1250 mm centres	0,8m/m ²
3	Connect T24 Cross tee C3, L=1250 mm, installed at 1300 mm centres	0,8m/m ²
4	Connect Adjustable hanger C3	0,7/m ²
5	Connect Hanger clip	0,7/m ²
6	Connect Baffle clip C3	2,5/m ²



Installation in chequered pattern



Detail of suspension



Suspension with adjustable hanger and clip

Size, mm	Max live load [N]	Min load bearing capacity [N]
1200x600	0	160

Live load/load bearing capacity